

Patchwork

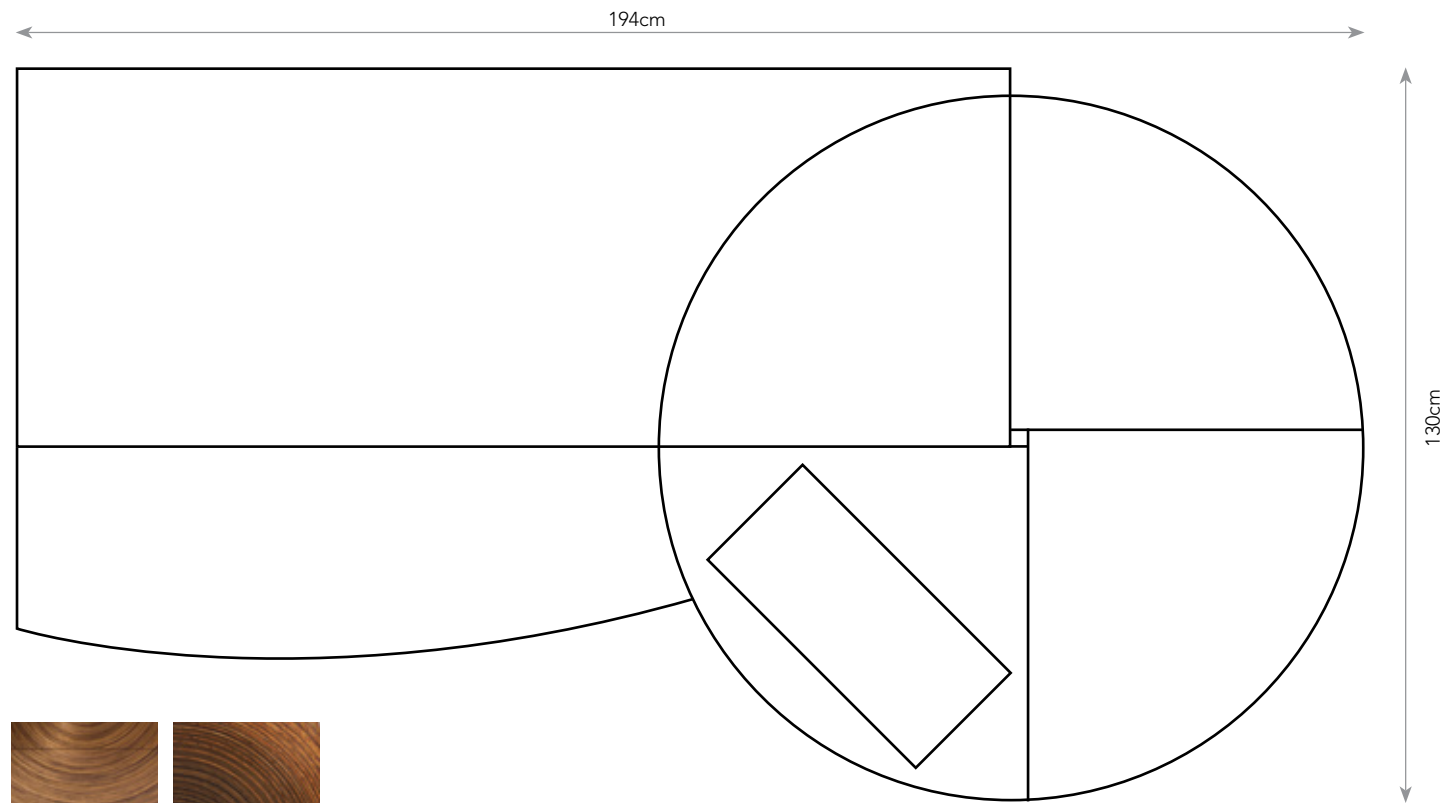
EXTENDING SEWING CABINET: Ref. 1810

This sewing cabinet has a complex structure that allows it to be extended for a larger working area. It has been designed to house a sewing machine and contains integral drawers and shelves. This piece utilises our own in-house Murano veneers and can be made in a combination of timbers.

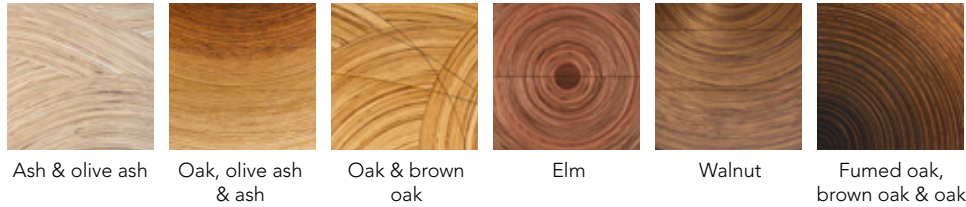
Please get in touch to discuss the many options available.

Tel: +44 (0)1243 696606

e-mail: info@edwardjohnsonstudio.co.uk



Murano timber combinations



Timber options (many options and combinations are available)

