

Chichester Tables

Ref. 1804

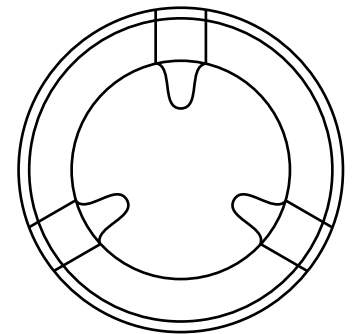
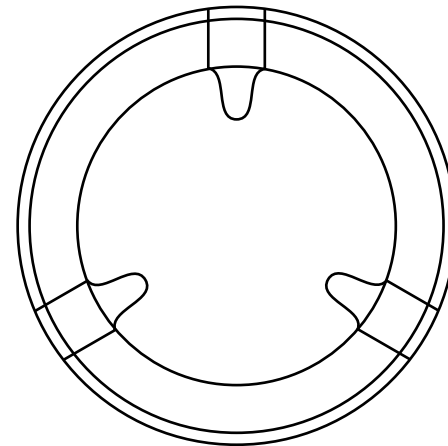
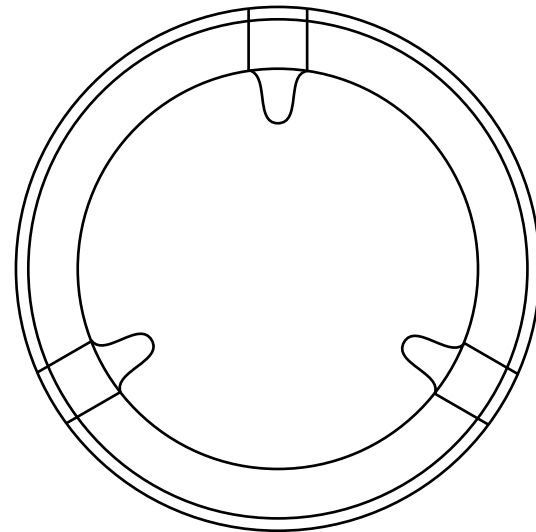
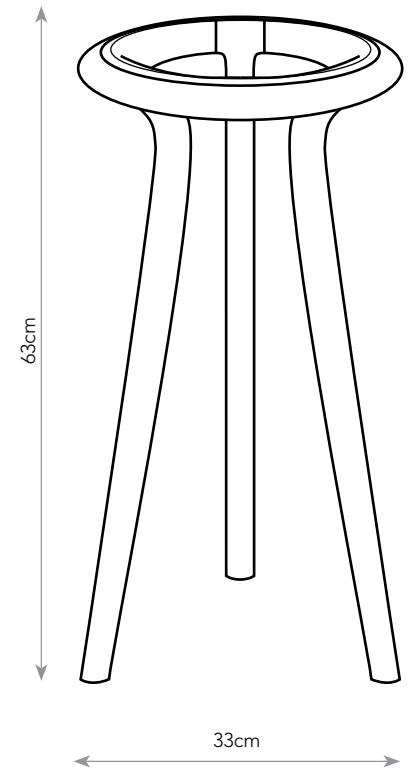
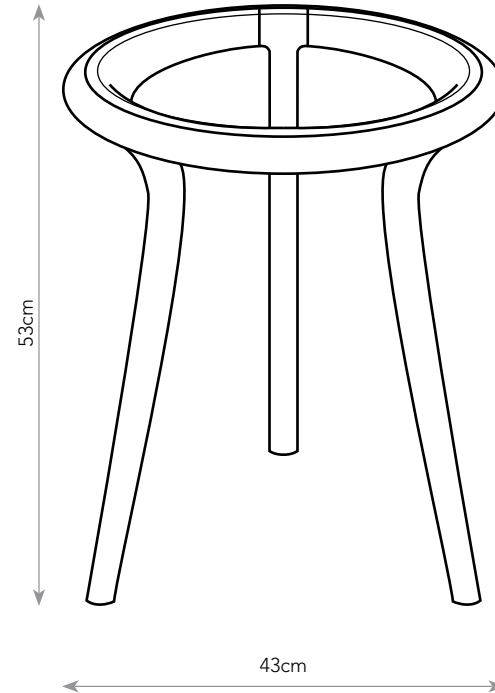
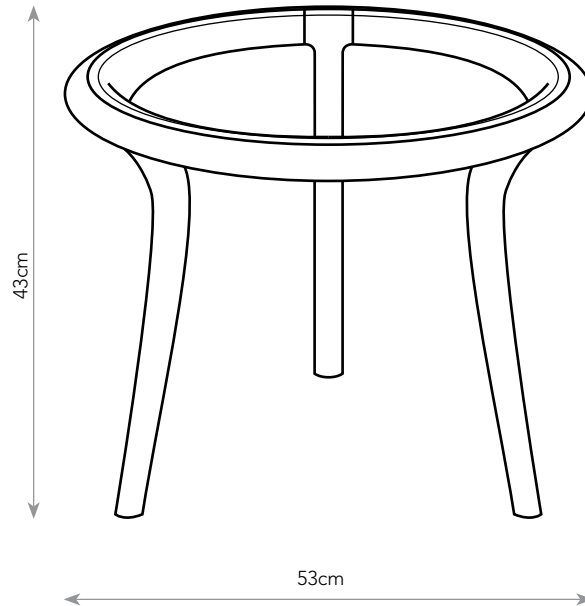
The set of three *Chichester Tables* are a limited-edition of 300, and are designed to group together in any configuration as a feature centrepiece. They can also be used separately as side tables around the room.

The gently curving and tapered legs are integral to the circular top, which comes together with a seamless flow and leads your eye down and through the glass. The glass top is inset and has a small bevelled edge.

Although the tables typically come as a set of three we can also make them to order individually.

Tel: +44 (0)1243 696606

e-mail: info@edwardjohnsonstudio.co.uk



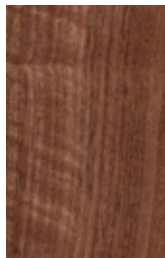
Timber options:



Ash



Oak



Walnut