

Family Tree

HEIRLOOM BOX: Ref. 1818

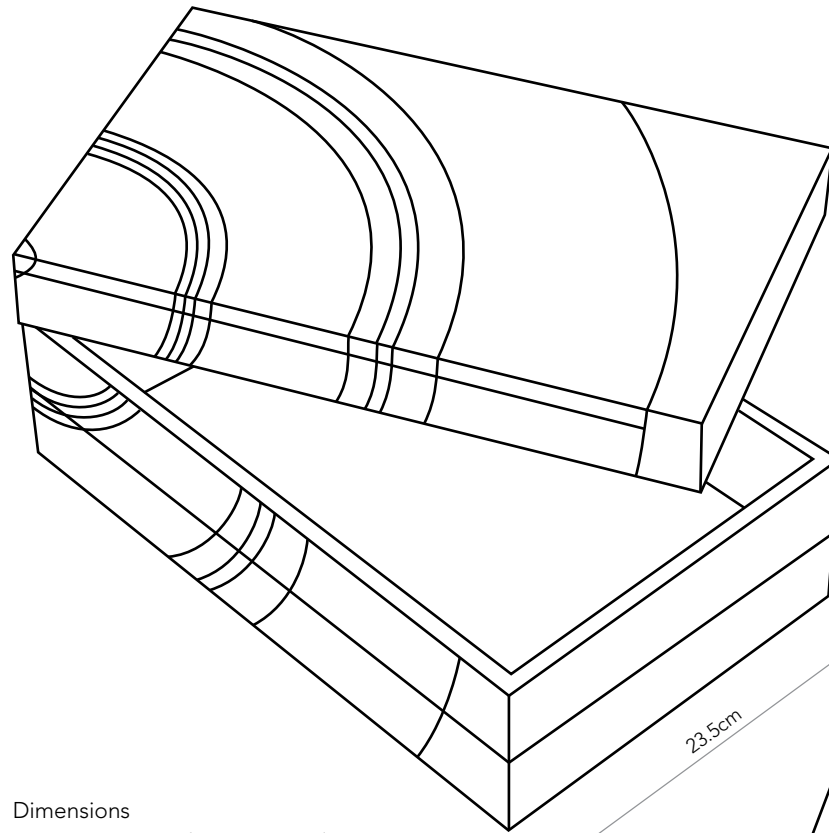
The limited-edition *Family Tree* heirloom box utilises our own in-house Murano veneers. The curved Murano pattern suggests the growth rings of a tree with the contrasting smooth end-grain texture representing bark. The concept behind the heirloom box is to represent the generations of your family by subtly marking their dates of birth, by inserting contrasting 'rings' emanating from the core.

The box pivots from one corner allowing the lid to swivel open to allow access to a shallow upper tray, which also opens to reveal a second deeper tray.

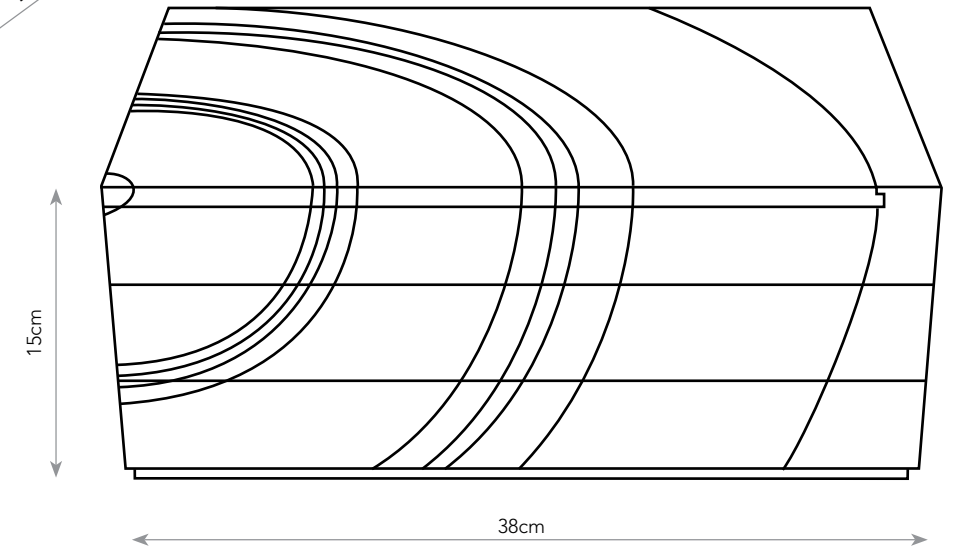
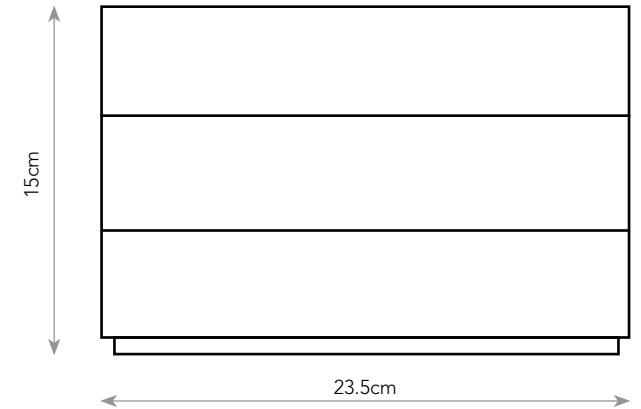
Please get in touch to discuss the many options available.

Tel: +44 (0)1243 696606

e-mail: info@edwardjohnsonstudio.co.uk



Dimensions
38cm (w) x 15cm (h) x 23.5cm (d)



Murano timber combinations:



Walnut



Elm



Ash / Olive Ash



Oak / Fumed Oak