

Sussex Chairs

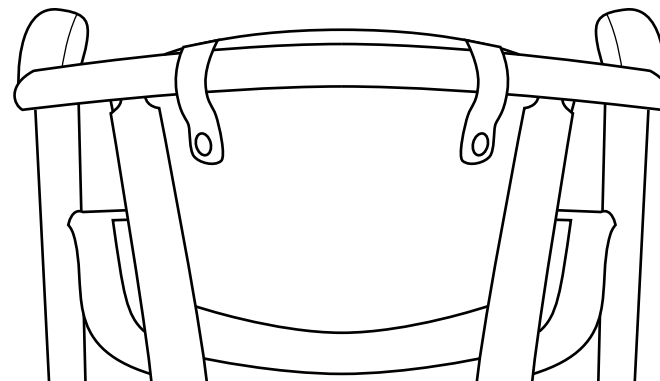
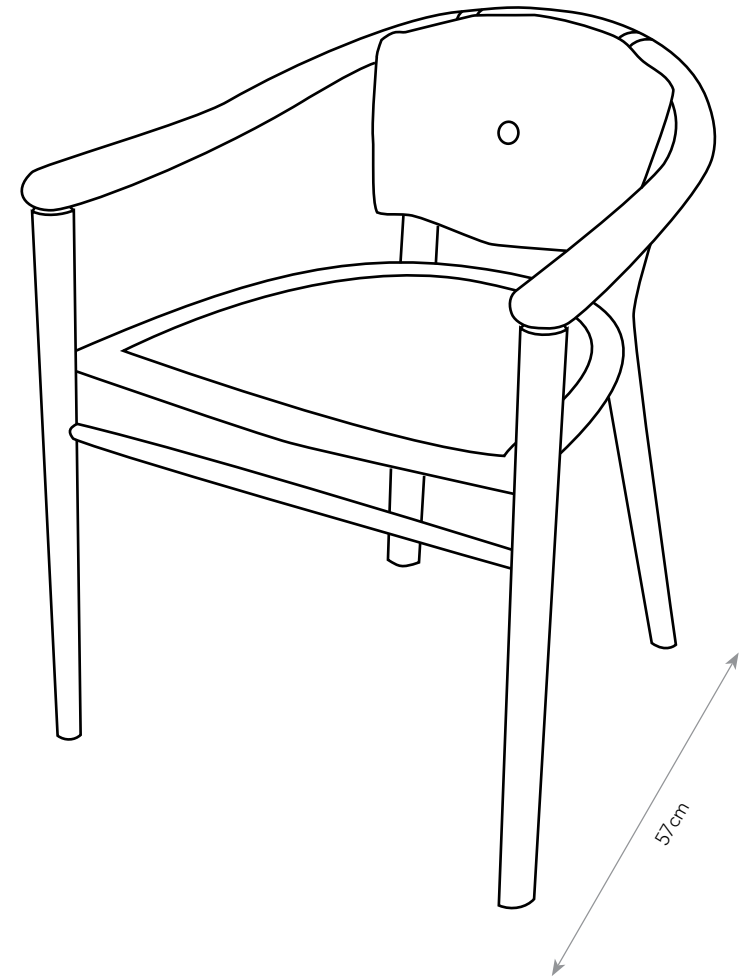
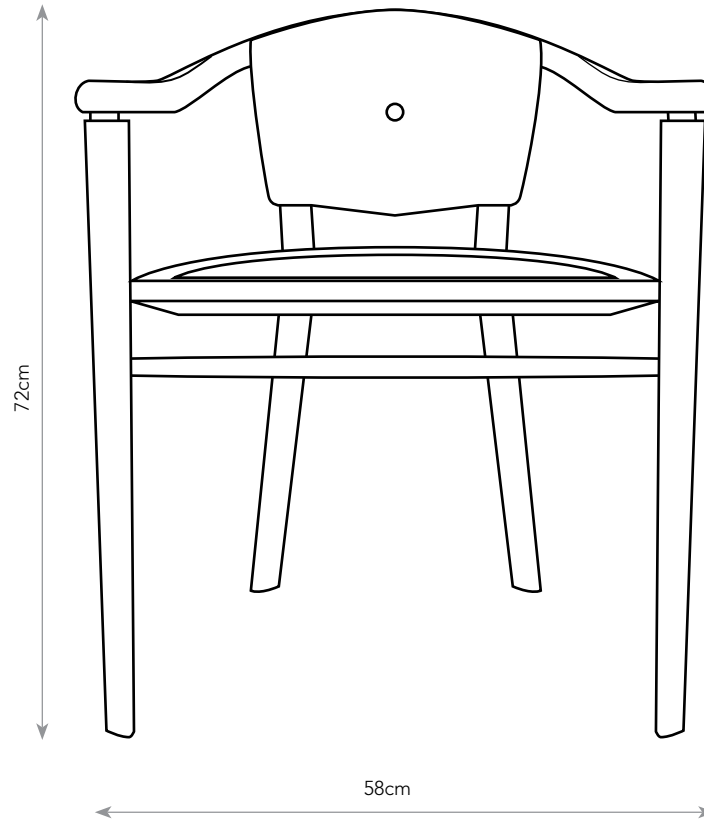
Ref. 1935

Our *Sussex Chair* is a limited-edition of 800 and a welcome addition to our Sussex Collection. It epitomises the essence of this collection that *'reflects Edward's natural design aesthetic with a collection that expresses a classic yet contemporary feel, with clean elegant lines, curved forms and stylish detailing'*.

The chair has an upholstered cushion with leather detailing, that can be made from a wide selection of fabrics or leathers.

The chair's seat is upholstered with natural woven cane that is available in several options and patterns.

Tel: +44 (0)1243 696606
e-mail: info@edwardjohnsonstudio.co.uk
www.edwardjohnsonstudio.co.uk



Dimensions
58cm (w) x 72cm (h) x 57cm (d)

Timber options:

