

# Sussex Chairs II

Ref. 1967

Our *Sussex Chair II* is a limited-edition of 800 and a welcome addition to our Sussex Collection. It epitomises the essence of this collection that 'reflects Edward's natural design aesthetic with a collection that expresses a classic yet contemporary feel, with clean elegant lines, curved forms and stylish detailing'.

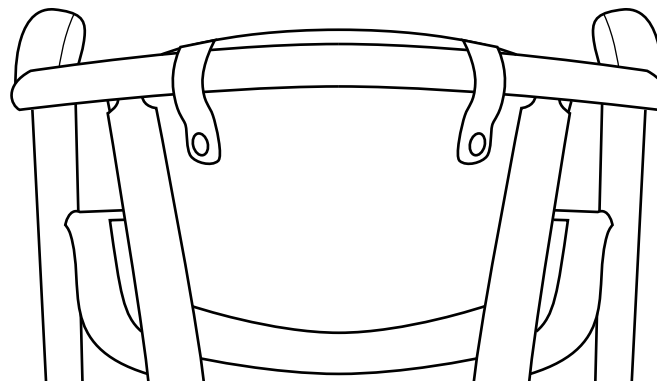
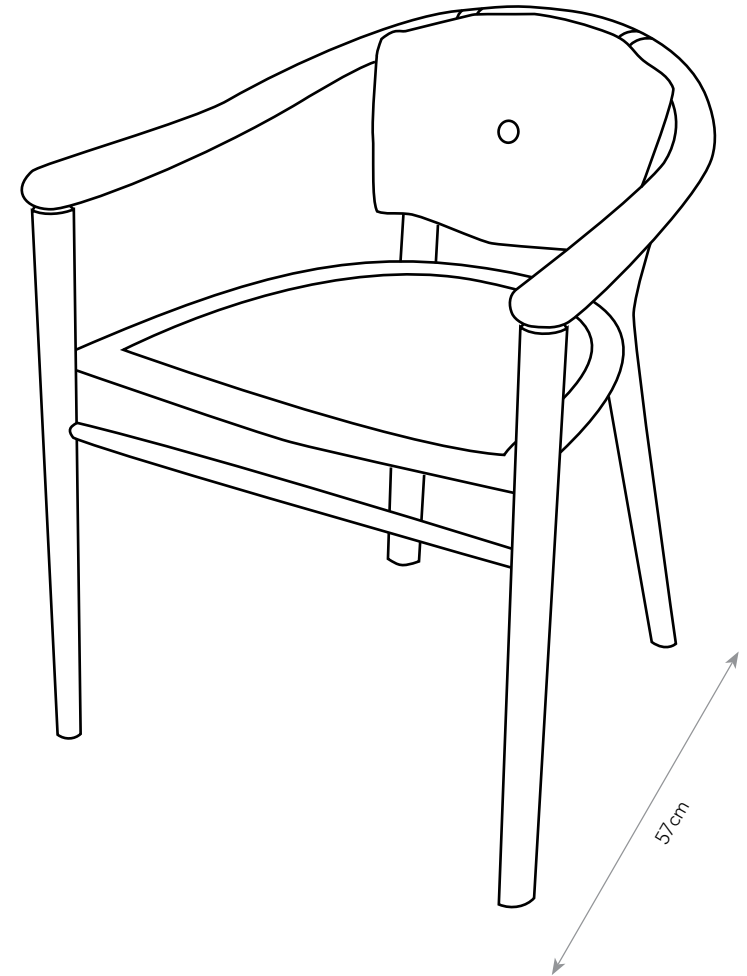
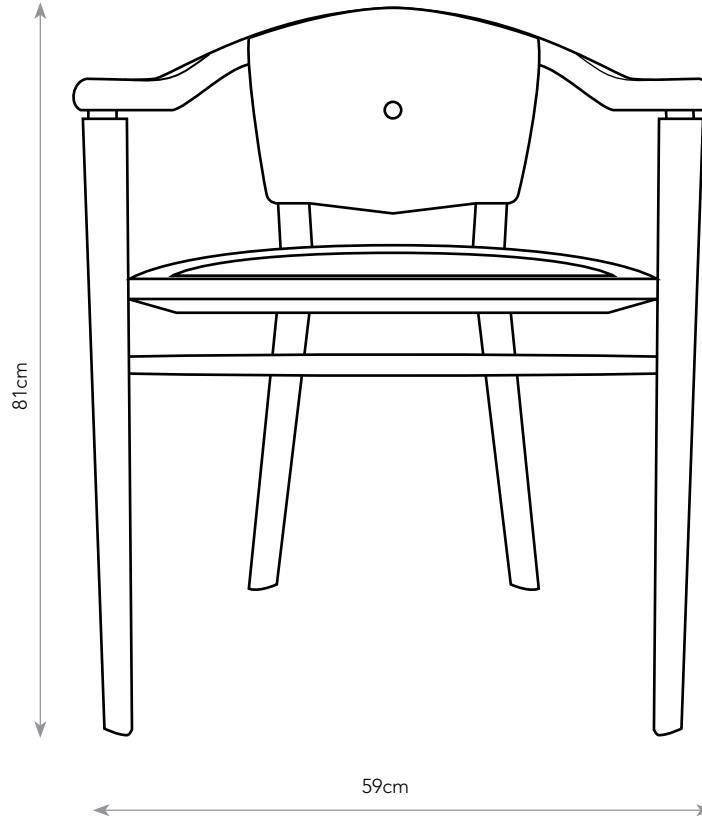
The chair has an upholstered cushion with leather detailing, that can be made from a wide selection of fabrics or leathers.

The chair's seat is upholstered with natural woven cane that is available in several options and patterns.

Tel: +44 (0)1243 696606

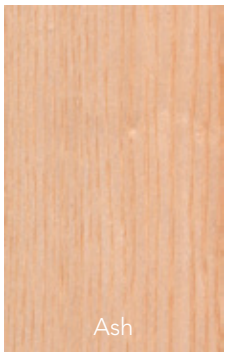
e-mail: [info@edwardjohnsonstudio.co.uk](mailto:info@edwardjohnsonstudio.co.uk)

[www.edwardjohnsonstudio.co.uk](http://www.edwardjohnsonstudio.co.uk)



Dimensions  
59cm (w) x 81cm (h) x 57cm (d)

## Timber options:



Ash



Oak